

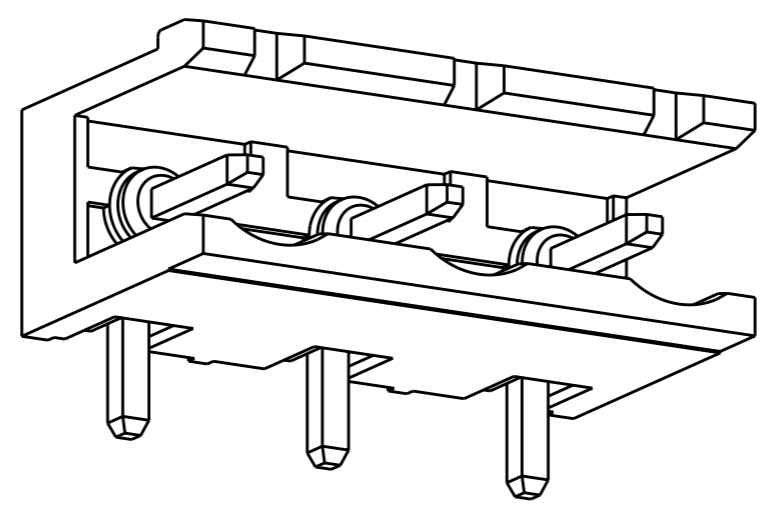
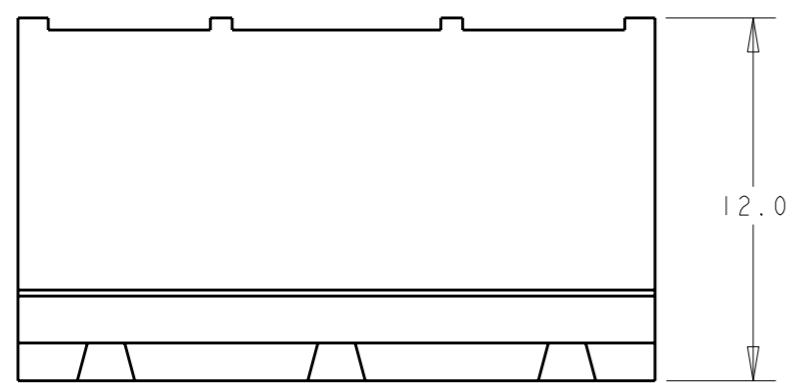
THIS DRAWING IS UNPUBLISHED. RELEASED FOR PUBLICATION 20

© COPYRIGHT 20 Tyco Electronics AMP GmbH ALL RIGHTS RESERVED.

LOC FT DIST 0

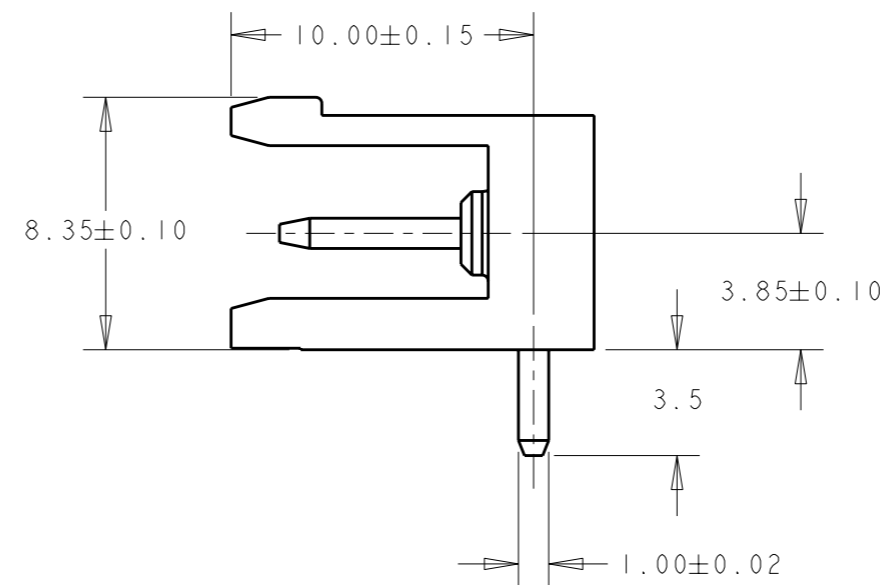
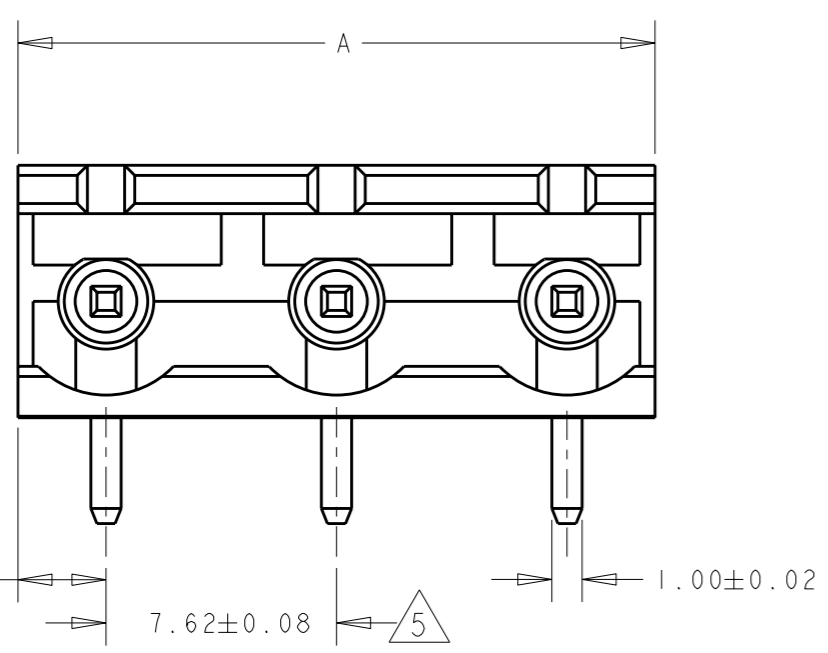
REVISIONS

P	LTR	DESCRIPTION	DATE	DWN	APVD
	C1	REVISED PER ECO-12-007964	02MAY2012	KH	MS



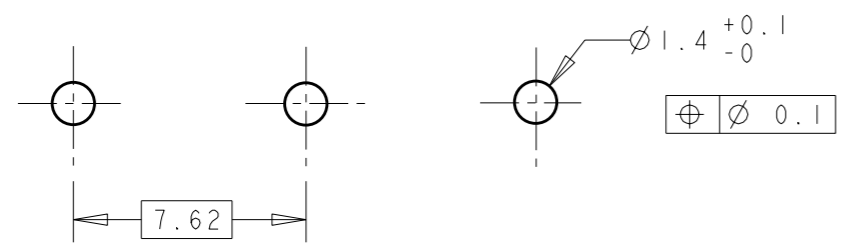
282965-3 AS SHOWN

- 1 MATERIALS AND FINISH
HOUSING: PA 6-6, UL 94-V0, COLOR GREEN.
TERMINAL: COPPER ALLOY, TIN PLATED.
- 2 SUITABLE FOR 1,6-2,4mm PC BOARD THICKNESS.
- 3 RECOGNIZED UNDER THE COMPONENT PROGRAM OF UNDERWRITERS LABORATORIES INC., FILE N° E60677.
- 4 IMQ CERTIFICATE WITH SURVEILLANCE IN CONFORMITY WITH IEC 998-1/998-2-1.
- 5 NOT CUMULATIVE TOLERANCE.



89.64	12	1-282965-2
82.02	11	1-282965-1
74.40	10	1-282965-0
66.78	9	282965-9
59.16	8	282965-8
51.54	7	282965-7
43.92	6	282965-6
36.30	5	282965-5
28.68	4	282965-4
21.06	3	282965-3
13.44	2	282965-2
DIM. A	N° OF POS.	PART NUMBER

RECOMMENDED PC BOARD LAYOUT



THIS DRAWING IS A CONTROLLED DOCUMENT.		DWN E. ZANOLINI 09OCT2001	TE Connectivity	
DIMENSIONS: mm		CHK D. BIEVENOUR 09OCT2001		
TOLERANCES UNLESS OTHERWISE SPECIFIED:		APVD D. BIEVENOUR 09OCT2001	NAME TERMINAL BLOCK HEADER ASSEMBLY 90 DEGREE, OPEN ENDS 7.62mm PITCH	
0 PLC ±.3		PRODUCT SPEC 108-20166	SIZE A3	
1 PLC ±.3		APPLICATION SPEC 114-20079	CAGE CODE 000779	DRAWING NO C-282965
2 PLC ±.25		WEIGHT -	RESTRICTED TO -	
3 PLC ±.		CUSTOMER DRAWING	SCALE 4:1	
4 PLC ±.			SHEET 1 OF 1	
ANGLES ±2		REV C1		
FINISH				